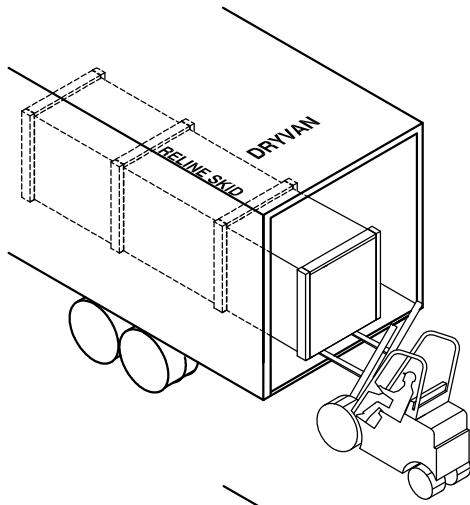
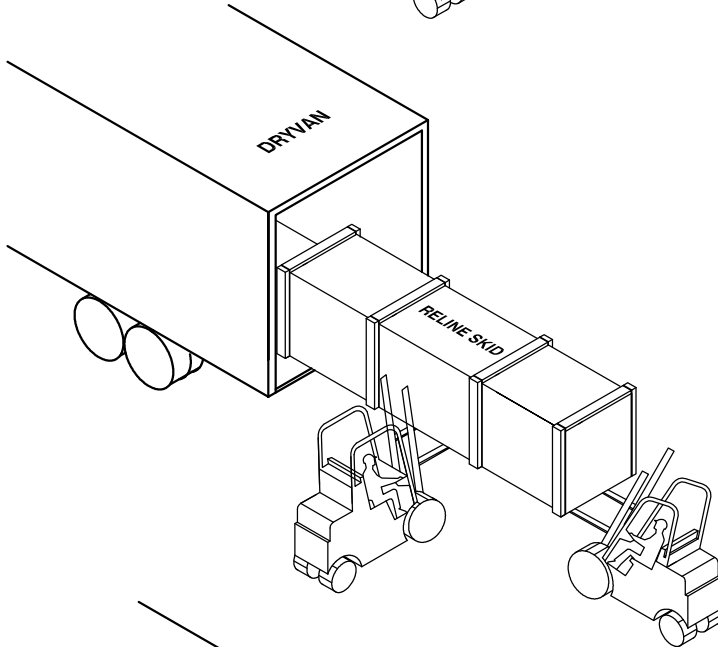


1



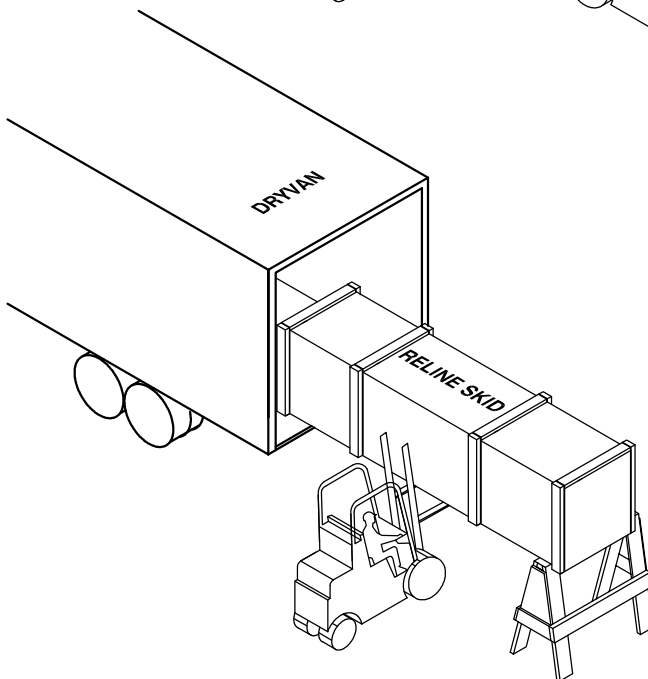
USE FORKLIFT TO PULL SKID OUT

2



USE SECOND FORKLIFT TO MOVE RELINE SKID

3



IF SECOND FORKLIFT NOT AVAILABLE REST THE END OF THE SKID ON A STAND



Nuform Building Technologies Inc.  
 100 Galcat Drive, Unit # 2  
 Woodbridge, Ontario, Canada L4L 0B9  
 Tel: 905-652-0001 Fax: 905-652-0002  
 Toll Free: 1-877-747-9255  
 Web Page: www.nuformdirect.com

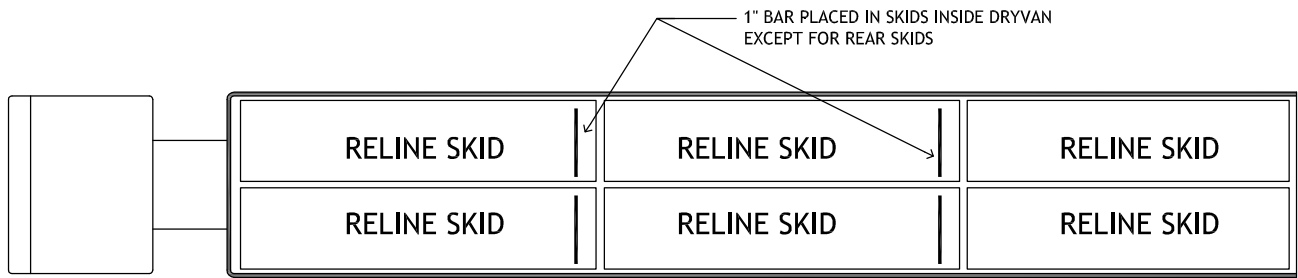
## UNLOADING RELINE SKIDS FROM DRYVAN



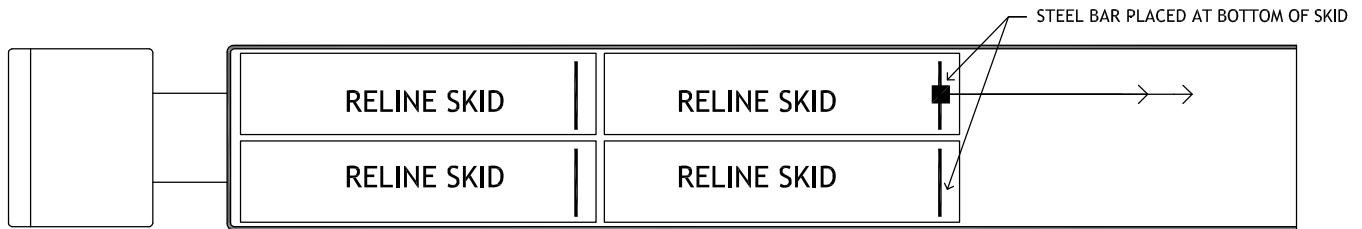
SK 01  
COPYRIGHT 2011

N.T.S.

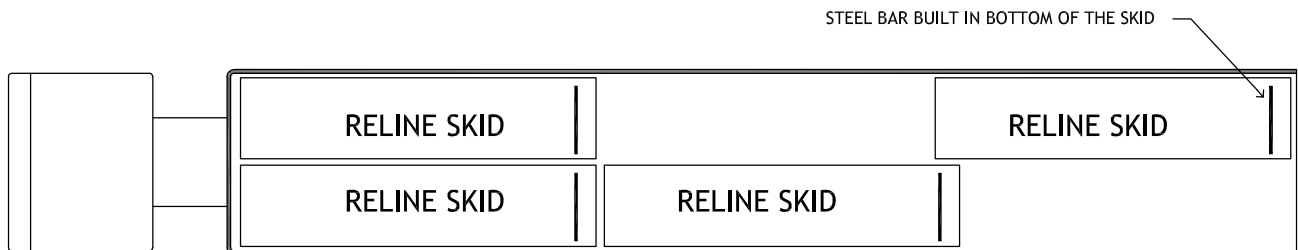
R00



**1** REMOVE FIRST ROW OF RELINE SKIDS FROM DRYVAN USING FORKLIFT



**2** PULL SUBSEQUENT SKIDS FROM DRYVAN BY STEEL BAR INSERTED AT BOTTOM OF SKID WITH CHAINS/ STRAPS AND DRAG TO END OF VAN.



**3** REMOVE BAR AND UNLOAD SKID USING FORKLIFT



Nuform Building Technologies Inc.  
 100 Galcat Drive, Unit # 2  
 Woodbridge, Ontario, Canada L4L 0B9  
 Tel: 905-652-0001 Fax: 905-652-0002  
 Toll Free: 1-877-747-9255  
 Web Page: www.nuformdirect.com

## UNLOADING RELINE SKIDS FROM DRYVAN



SK 02

COPYRIGHT 2011

N.T.S.

R00