

### 90° Corner Trim

The corner trim is required to connect RELINE® panels between two perpendicular walls or the ceiling and walls.

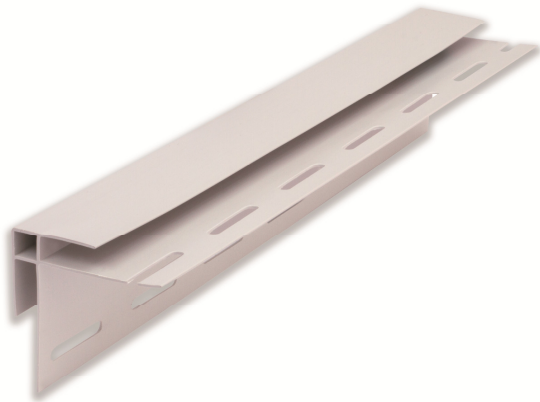


Figure 1 90° Corner Trim (2 ½" x 2 ½")

Depending on project requirements, the RELINE® 90° corner trim can be installed on the inside or outside of an existing wall. The corner trim needs to be installed ahead of the RELINE® panels.

### Inside 90° Corner Installation

Install 90° corner trim vertically. There are two ways to fasten inside corner trim.

- Use silicone
- Screw through face and cover holes with plugs

Mitre corners as required. Provide ¼" clearance at ends and sides of panels. Refer to figure 2.

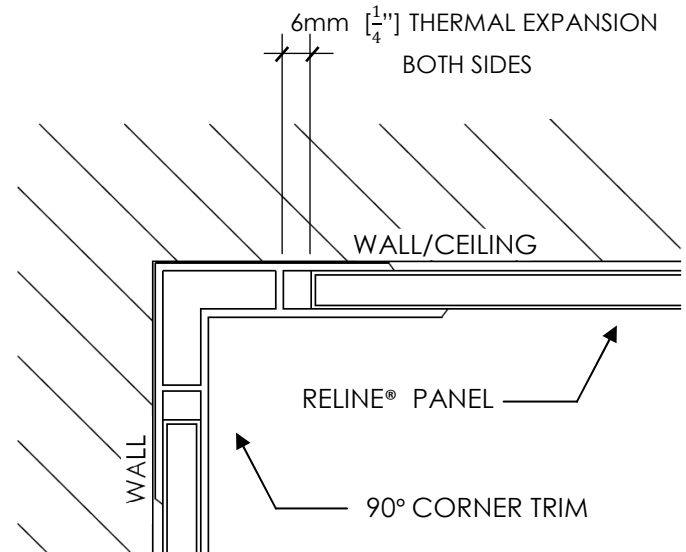


Figure 2 Inside Corner Installation

### Outside 90° Corner Installation

To install on the outside of a wall, mechanically fasten 90° corner trim at 24" on center. Notch the back of the RELINE® panels in order to accommodate the nail/screw head. Provide ¼" clearance at ends and sides of panels. Refer to figure 3.

