

RELINE® panels can be installed on columns by using corner trim to connect the four faces. The step by step procedure is detailed below.

Step 1

Begin by mechanically fastening the trim on one of the column corners. Insert the RELINE® panel into the corner trim. Ensure that the panel legs are cut off for a snug fit in the corner trim. Use plastic plugs to cover holes.

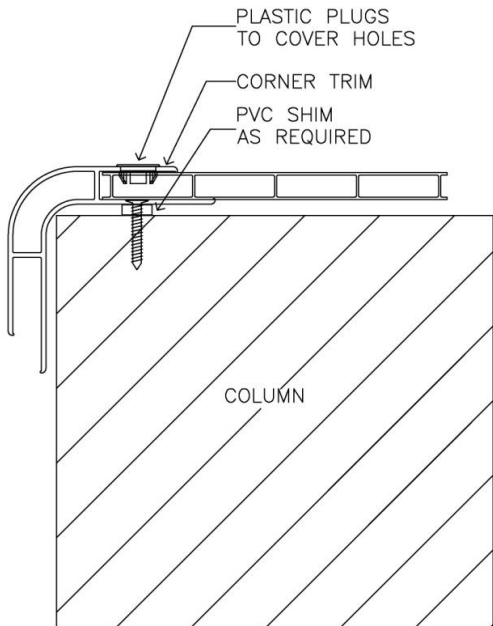


Figure 1 First Corner Trim and Panel Installed

Step 2

Mechanically fasten the second piece of corner trim on the other end of the RELINE® panel installed in step one. Insert another RELINE® panel on the next face of the column.

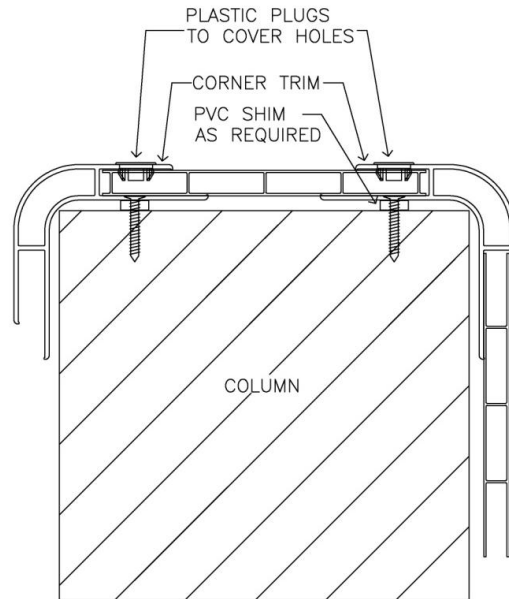


Figure 2 Second Corner Trim and Panel Installed

Step 3

Mechanically fasten the third piece of corner trim on the end of the previously installed panel. Insert remaining RELINE® panels.

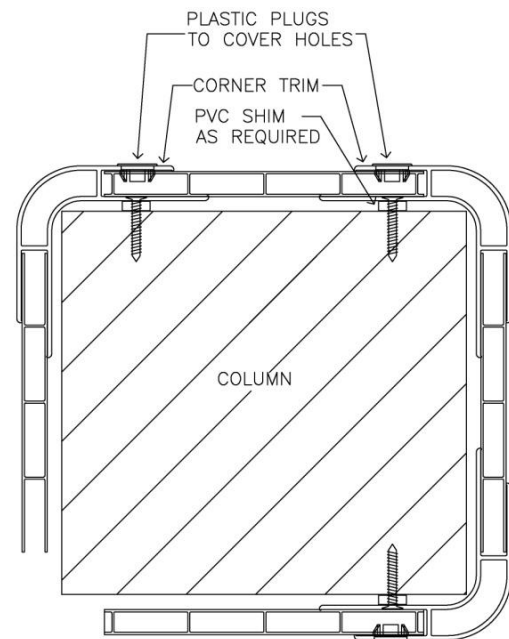


Figure 3 Last Corner Trim Remaining

Corner Trim

In order to install the final piece of corner trim, the RELINE® panels, as well as the corner trim itself need to bend. Carefully bend the panels away from the column until they can be inserted into the corner trim. Fasten corner trim.

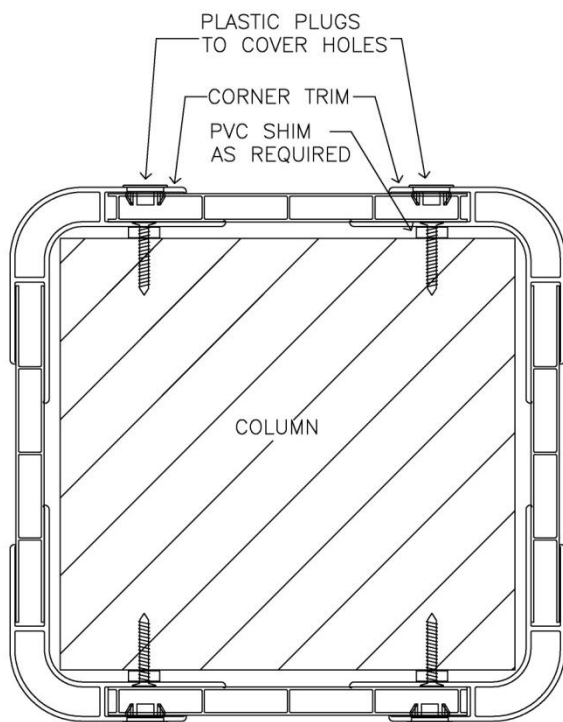


Figure 4 Last Corner Trim Remaining

NOTE: The column illustrated in this bulletin requires only one RELINE® panel to cover each side. Larger columns will require more than one panel on each side. In that case, panels will need to be interlocked and mechanically fastened to the column through the slots provided.