

Multi-Use Trim

The multi-use trim can be used as a baseboard or crown moulding. It is an optional alternate for the F-Trim and J-Trim. It can also be used to cover electrical and other services for a cleaner finish.

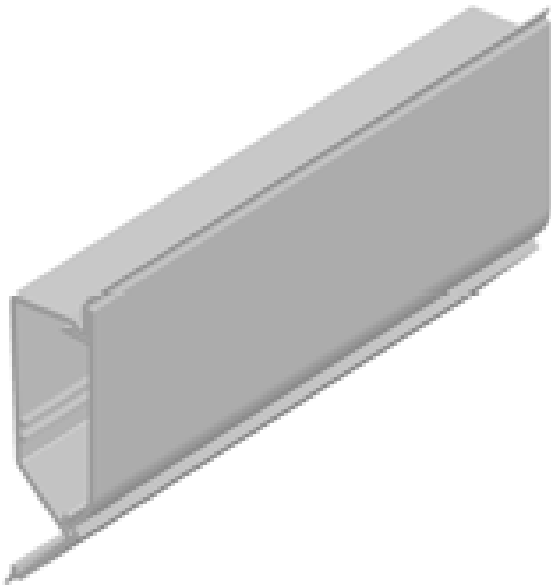


Figure 1 Multi-Use Trim (3½" x 1")

The multi-use trim comes in two pieces. The base is mechanically fastened to the wall, while the cap simply snaps in place.

Crown Moulding Installation on CONFORM® Walls

1. Mechanically fasten the base of the multi-use trim to the existing wall. Refer to figure 2. Use only corrosion resistant fasteners (aluminum, stainless steel, or galvanized roofing nails).
2. Position all electrical cables and any other services in the trim cell/cavity before installing the cap.
3. To install the cap, place the bottom into the slot of the already fastened base and push the top until it snaps in place.

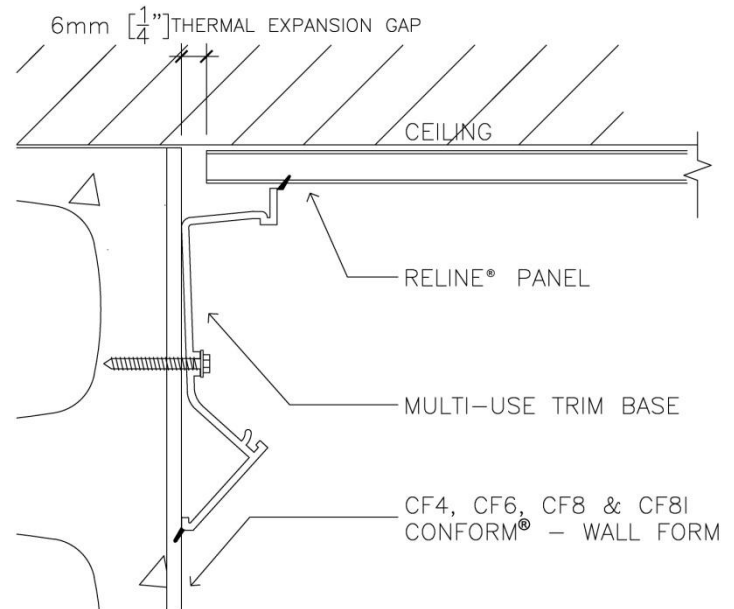


Figure 2 Multi-Use Trim Base Installed

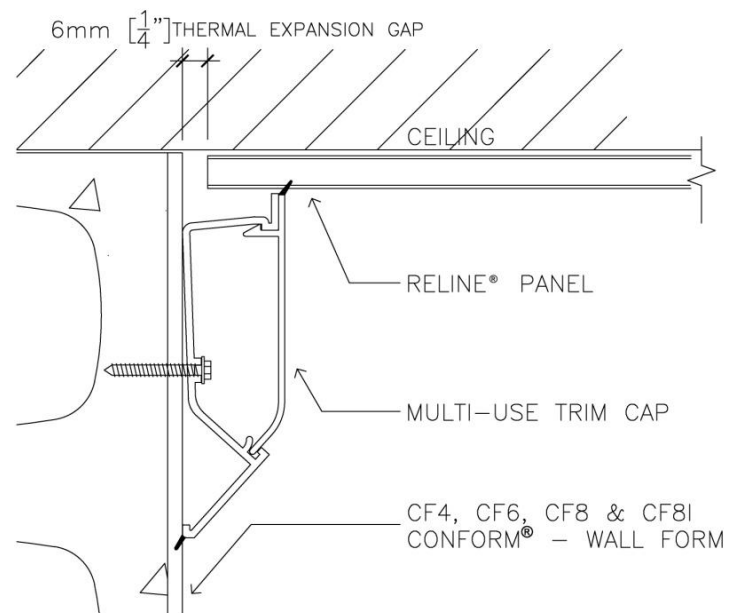


Figure 3 Completed Installation

Crown Moulding Installation on RELINE® Panels

The multi-use trim can similarly be installed on RELINE® panels placed on a pre-existing wall. Please refer to figure 4.

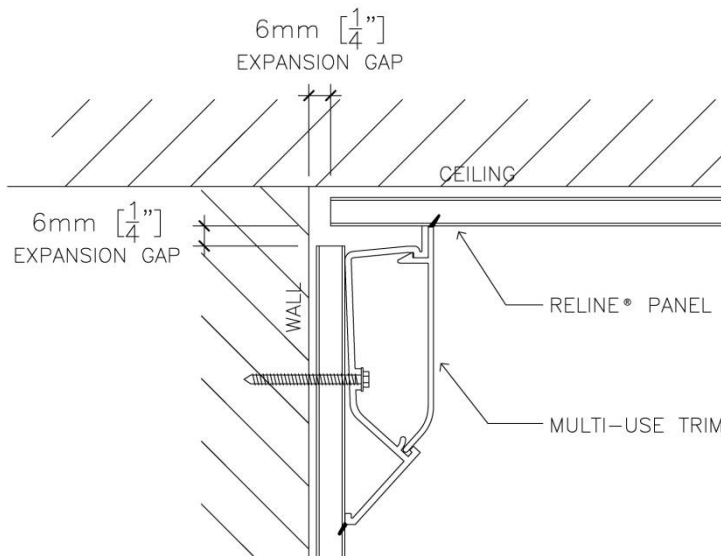


Figure 4 Multi-Use Trim Installed on RELINE® Panels

Baseboard Installation

The baseboard installation of the multi-use trim is very similar to that of the crown moulding. First, mechanically fasten the base to the wall. Then, after placing all electrical and other cables into the trim, push the cap of the multi-use trim until it snaps in place.

Refer to figure 5 for a completed baseboard installation on RELINE® panels.

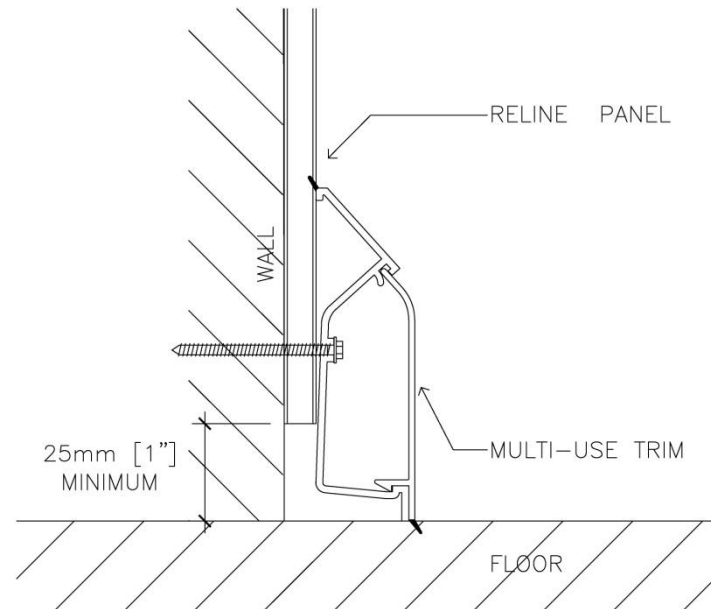


Figure 5 Multi-Use Trim Baseboard Installation on RELINE®