

Corner Trim

The corner trim is required to connect RELINE® panels between two perpendicular walls or the ceiling and walls.

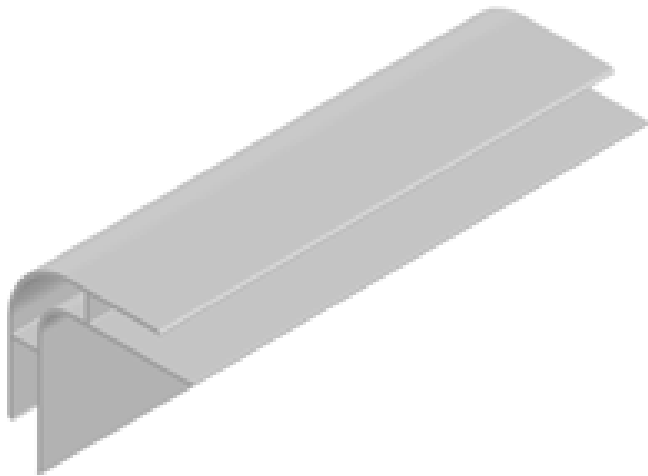


Figure 1 Corner Trim (2 ½" x 2 ½")

Depending on project requirements, the RELINE® corner trim can be installed on the inside or outside of an existing wall. The corner trim needs to be installed ahead of the RELINE® panels.

Inside Corner Installation

Install corner trim vertically. There are two ways to fasten inside corner trim.

- Use silicone
- Screw through face and cover holes with plugs

Mitre corners as required. Provide ¼" clearance at ends and sides of panels. Refer to figure 2.

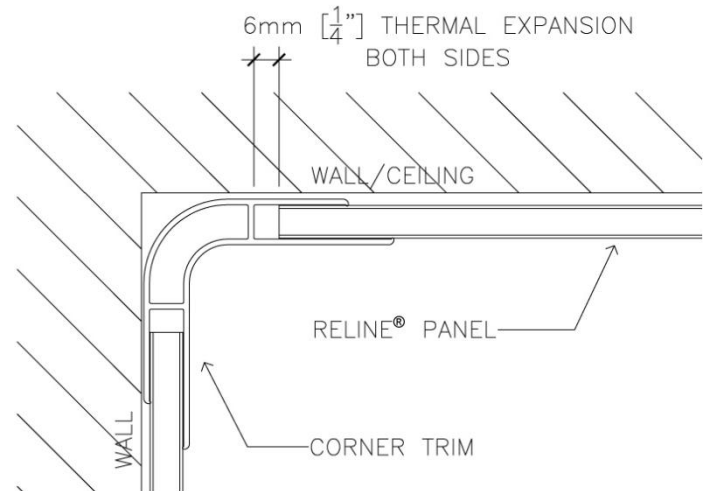


Figure 2 Inside Corner Installation

Outside Corner Installation

To install on the outside of a wall, mechanically fasten corner trim at 24" on center. Notch the back of the RELINE® panels in order to accommodate the nail/screw head. Provide ¼" clearance at ends and sides of panels. Refer to figure 3.

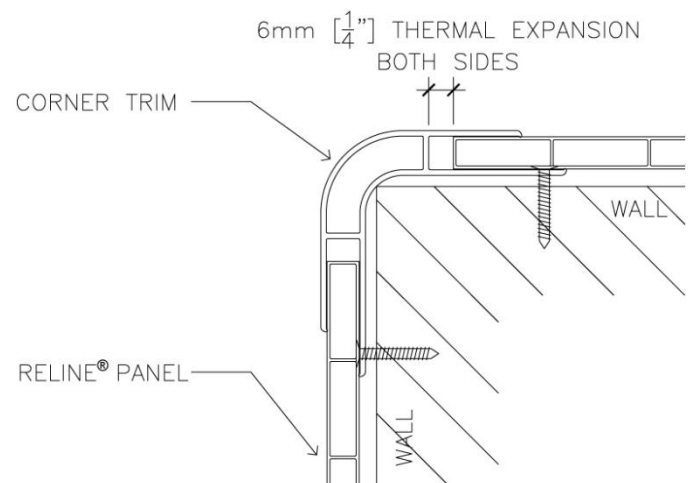


Figure 3 Outside Corner Installation