

J-Trim

J-Trim can be used to cover RELINE® panels for both floor and ceiling installations.

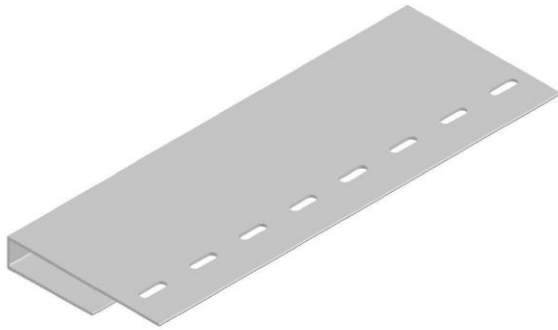


Figure 1 J-Trim (2 1/4" x 3/8")

J-Trim at Slab

Mechanically fasten J-Trim at slots provided, at least 25mm or 1" above the slab. Fasteners shall not be more than 24" apart. Drill 1/4" diameter drain holes in the bottom of the J-Trim at 16" on center. Install RELINE® panels into J-Trim.

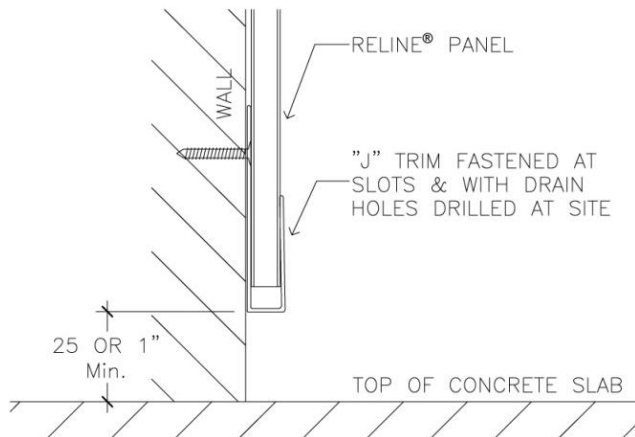


Figure 2 J-Trim Slab Installation

J-Trim at Ceiling

J-Trim can also be installed on the ceiling following the same steps as the slab installation. However, drain holes are not required for ceiling installation.

The instructions are the same regardless of the type of wall (CONFORM® or by others).

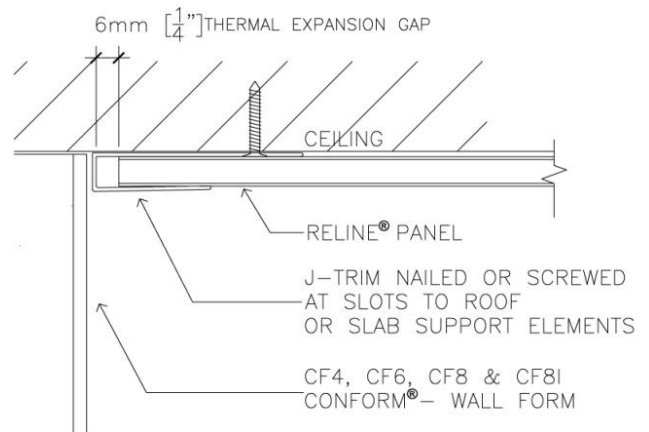


Figure 3 J-Trim Ceiling Installation