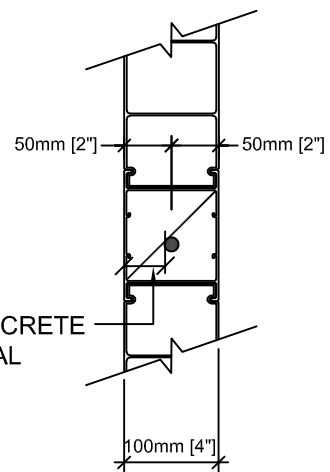


REINFORCED AT CENTERLINE OF CONCRETE



43mm[1 1/2"] CONCRETE COVER TYPICAL

NOTES:

- 1- PROVIDE WIRE HOOPS AT 3000mm[10'-0"] O/C MAX.
- 2- MINIMUM 2 HOOPS PER VERTICAL BAR
- 3- HOOPS ARE TACK WELDED OR TIE WIRED TO VERTICAL BARS AS REQUIRED
- 4- PLACE ALL VERTICAL BARS IN BOX CONNECTORS WHERE POSSIBLE

- DETAIL FOR FORMWORK ONLY
 - ALL DETAILS, REINFORCING STEEL & CONCRETE MUST BE DESIGNED & CONFIRMED BY PROJECT STRUCTURAL ENGINEER AND / OR PROJECT ARCHITECT.



Nuform Building Technologies Inc.
 100 Galcat Drive, Unit #2,
 Woodbridge, Ontario, Canada L4L 0B9
 Tel: 905-652-0001 Fax: 905-652-0002
 Toll Free: 1-877-747-9255
 Web Page: www.nuformdirect.com

100mm[4"] CF4 WALL -
 VERTICAL REINFORCING BARS



DRAWING NO.	
T041	
COPYRIGHT 2024	
SCALE:	REVISION No.:
	R00