

CAP FLASHING & WOOD BLOCKING (BY OTHERS)

38mm[1½"]x38mm[1½"]x75mm[3"]
EMBEDDED PLASTIC NAILING INSERTS
ALTERNATING AT INSIDE AND OUTSIDE
FACE AT 667mm[2'-2¼"] O/C

TEMPORARY FORMED POCKET
250mm[10"] WIDE x 130mm[5 ⅛"]
DEEP AT JOIST LOCATIONS

JOIST BEARING PLATE
W/ANCHOR BOLTS. ANCHOR
BOLT HOOKS PARALLEL TO
CONFORM WEBS (BY OTHERS)

EXTERIOR WALL CLADDING
(BY OTHERS)
200mm[8"] CF8 WALL

GALVANIZED METAL
FLASHING CONTINUOUS TO
UNDERSIDE CLADDING
(BY OTHERS)

ROOFING MEMBRANE
CONTINUOUS TO
UNDERSIDE FLASHING
(BY OTHERS)

GALVANIZED STEEL DECK
(BY OTHERS)

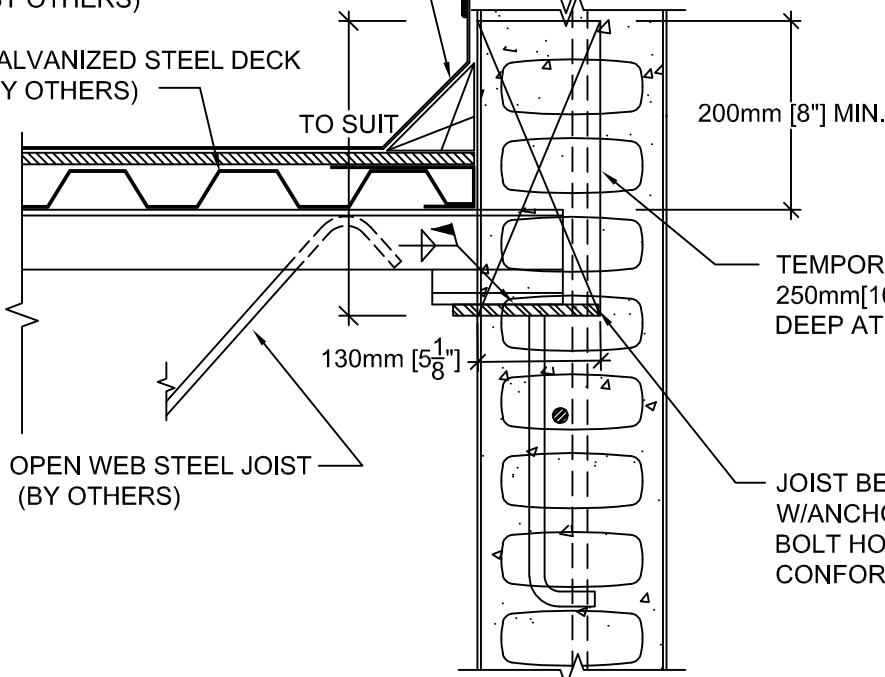
OPEN WEB STEEL JOIST
(BY OTHERS)

OPEN WEB STEEL
JOIST (BY OTHERS)

WALL REINFORCING BARS
(BY OTHERS)

TEMPORARY FORMED POCKET
250mm[10"] WIDE x 130mm[5 ⅛"]
DEEP AT JOIST LOCATIONS

JOIST BEARING PLATE
W/ANCHOR BOLTS. ANCHOR
BOLT HOOKS PARALLEL TO
CONFORM WEBS (BY OTHERS)



- DETAIL FOR FORMWORK ONLY
- ALL DETAILS, REINFORCING STEEL & CONCRETE MUST
BE DESIGNED & CONFIRMED BY PROJECT STRUCTURAL
ENGINEER AND / OR PROJECT ARCHITECT.



Nuform Building Technologies Inc.
100 Galcat Drive, Unit #2,
Woodbridge, Ontario, Canada L4L 0B9
Tel: 905-652-0001 Fax: 905-652-0002
Toll Free: 1-877-747-9255
Web Page: www.nuformdirect.com

200mm[8"] CF8 WALL - LOW ROOF BEARING WALL & OPEN WEB STEEL JOIST



DRAWING NO.		R605	
		COPYRIGHT 2024	
SCALE:		REVISION No.:	R00