

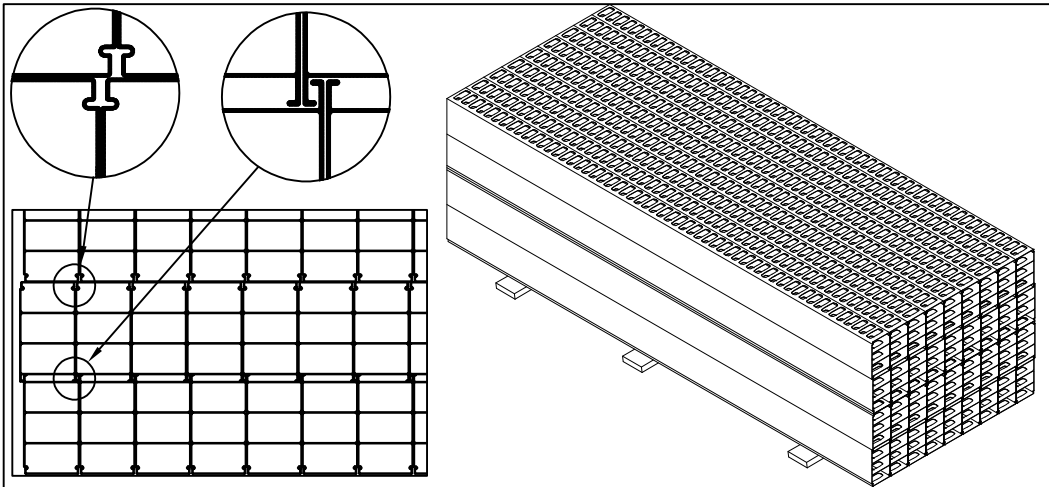
CONFORM INSTALLATION NOTES

1. GENERAL NOTES

1. THE PRODUCT, CONFORM[®], IS A PRE-FINISHED CONCRETE WALL FORM MATERIAL. ADDITIONAL PAINTING OR VENEERS ARE NOT REQUIRED. THE MATERIAL MUST BE HANDLED AND TREATED AS "PRE-FINISHED" TO AVOID UNNECESSARY DAMAGE TO THE SURFACE OR COMPONENTS.
2. CONFORM[®] COMPONENTS ARE INSTALLED WITH THE "LABELED END" UP. THIS MAINTAINS THE ALIGNMENT OF CORING FOR PROPER FLOW OF CONCRETE BETWEEN COMPONENTS AND ALLOWS VERIFICATION OF COMPONENTS DURING ASSEMBLY.
3. TEMPORARY BRACING IS REQUIRED TO PROPERLY ASSEMBLE AND INSTALL THE COMPONENTS. ENSURE THAT PROPER MATERIALS ARE ON-SITE BEFORE STARTING ERECTION.
4. THE CONFORM[®] COMPONENTS ARE ERECTED ON A FOUNDATION AND/OR FLOOR THAT CONFORMS TO LOCAL BUILDING STANDARDS AND AUTHORITIES. REINFORCING STEEL DOWELS MUST BE CAST-IN-PLACE OR DRILLED INTO THE FOUNDATION, AS SPECIFIED.

2. OFF-LOADING/STORAGE

1. NOTE THE LABELING DURING OFF-LOADING AND STACK THE MATERIAL APPROPRIATELY, IN PROXIMITY TO THE AREA WHERE IT WILL BE INSTALLED.
2. PREPARE STORAGE AREAS WITH WOOD SLEEPERS (2"x4" OR 2"x6") AT 1.5 m (5') ON CENTER MAXIMUM, TO ALLOW THE COMPONENTS TO REST LEVEL AND OFF THE GROUND. **COMPONENTS HAVE A TENDENCY TO DEFORM IF STORED WITH UNEVEN OR INSUFFICIENT SUPPORT.**
3. **TAKE CARE TO AVOID SCRATCHING, CHIPPING OR BENDING THE PRE-FINISHED SURFACES OF THE COMPONENTS DURING OFF-LOADING.**
4. STACK THE COMPONENTS "CORED SIDE DOWN" TO PREVENT DAMAGE TO THE PRE-FINISHED SURFACES. DO NOT STACK MATERIAL MORE THAN 1.2 m (4') HIGH.



STACKING UNIVERSAL COMPONENTS

5. **ORGANIZE MATERIAL IN PILES BY LABEL NUMBER.** NEAT, ORGANIZED MATERIAL STORAGE WILL SIMPLIFY AND QUICKEN THE ERECTION OF THE CONFORM COMPONENTS.
6. CHECK THE MATERIALS RECEIVED AGAINST THE SHIPPING LIST AND NOTE ANY DISCREPANCIES. REPORT DISCREPANCIES IMMEDIATELY TO NUFORM AT 1-877-747-9255.
7. **WHEN DAILY TEMPERATURES ARE CONSISTENTLY OVER 30°C (86°F), STORE THE MATERIAL IN THE SHADE OR COVER WITH LOOSE TARPS THAT PROVIDE SHADE BUT DO NOT RESTRICT AIR FLOW. MATERIAL MUST NOT BE TIGHTLY WRAPPED OR STORED IN CLOSED CONTAINERS SINCE THE COMPONENTS MAY DEFORM.**
8. CHECK THE MATERIALS RECEIVED AGAINST THE SHIPPING LIST AND NOTE ANY DISCREPANCIES. REPORT DISCREPANCIES IMMEDIATELY TO NUFORM AT 1-877-747-9255.



Nuform Building Technologies Inc.
100 Galcat Drive, Unit # 2,
Woodbridge, Ontario, Canada L4L 0B9
Tel: 905-652-0001 Fax: 905-652-0002
Toll Free: 1-877-747-9255
Web Page: www.nuformdirect.com

CONFORM INSTALLATION - NOTES 1 AND 2



DRAWING NO.	N101	COPYRIGHT 2024
SCALE:	REVISION No.:	R00