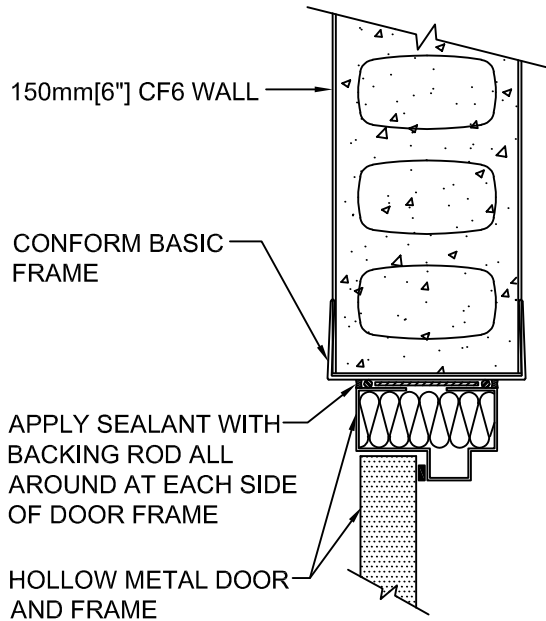
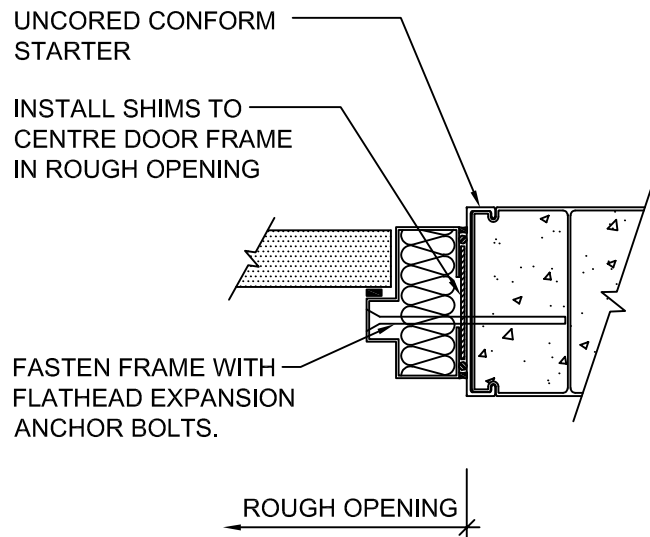


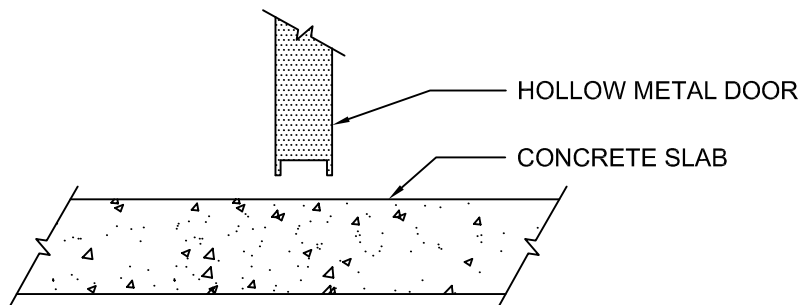
HEADER SECTION



JAMB SECTION



SILL SECTION



- DETAIL FOR FORMWORK ONLY  
 - ALL DETAILS, REINFORCING STEEL & CONCRETE MUST BE DESIGNED & CONFIRMED BY PROJECT STRUCTURAL ENGINEER AND / OR PROJECT ARCHITECT.

DRAWING NO.		<b>A172</b>	
		COPYRIGHT 2024	
SCALE:		REVISION No.:	<b>R00</b>