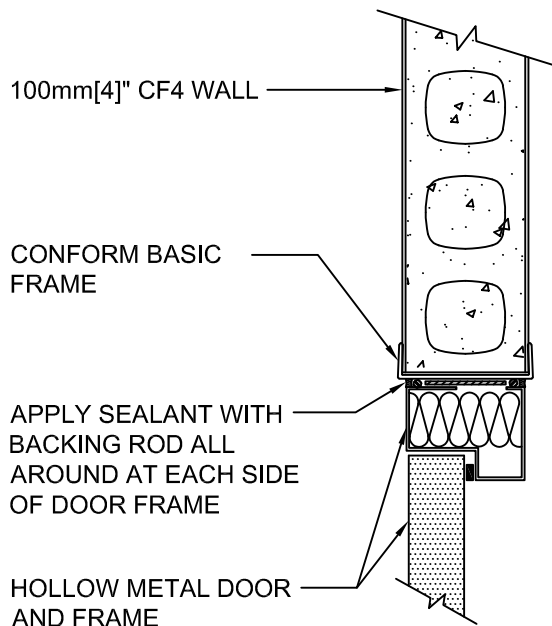
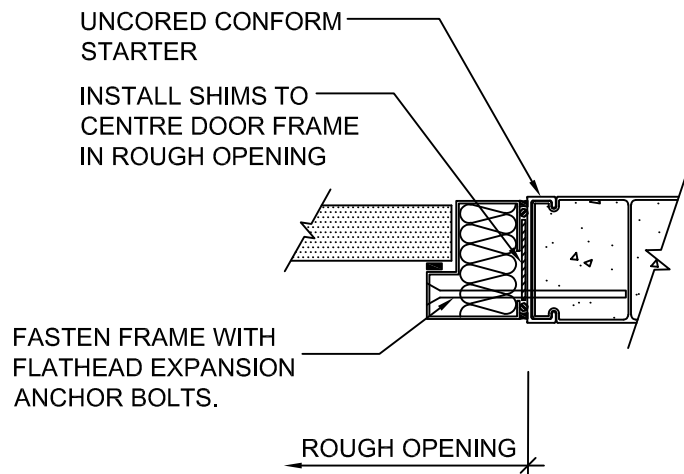


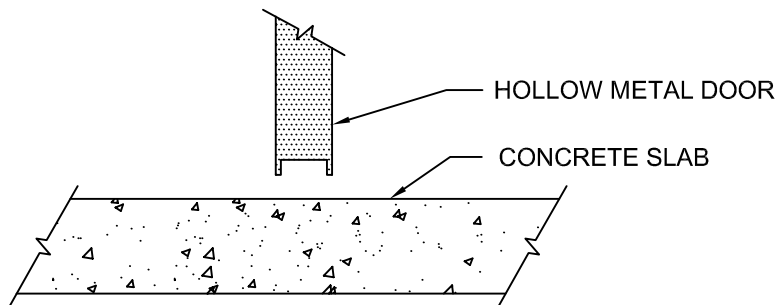
HEADER SECTION



JAMB SECTION



SILL SECTION



- DETAIL FOR FORMWORK ONLY  
 - ALL DETAILS, REINFORCING STEEL & CONCRETE MUST BE DESIGNED & CONFIRMED BY PROJECT STRUCTURAL ENGINEER AND / OR PROJECT ARCHITECT.



Nuform Building Technologies Inc.  
 100 Galcat Drive, Unit #2,  
 Woodbridge, Ontario, Canada L4L 0B9  
 Tel: 905-652-0001 Fax: 905-652-0002  
 Toll Free: 1-877-747-9255  
 Web Page: www.nuformdirect.com

100mm[4]" CF4 WALL -  
 HOLLOW METAL DOOR  
 INTERIOR



DRAWING NO.	
A171	
COPYRIGHT 2024	
SCALE:	REVISION No.:
	R00