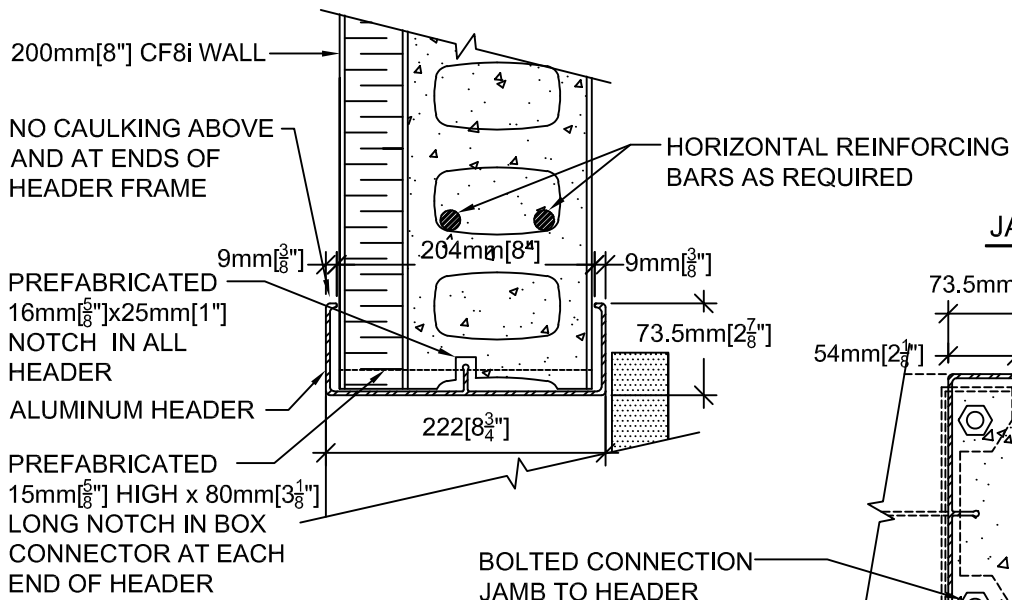
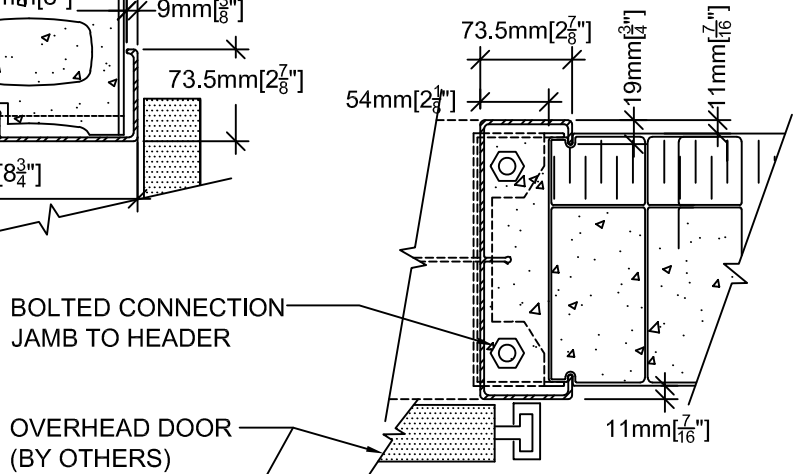


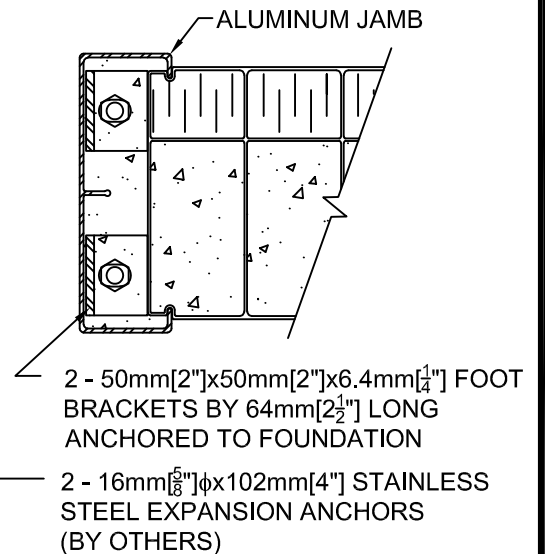
HEADER SECTION



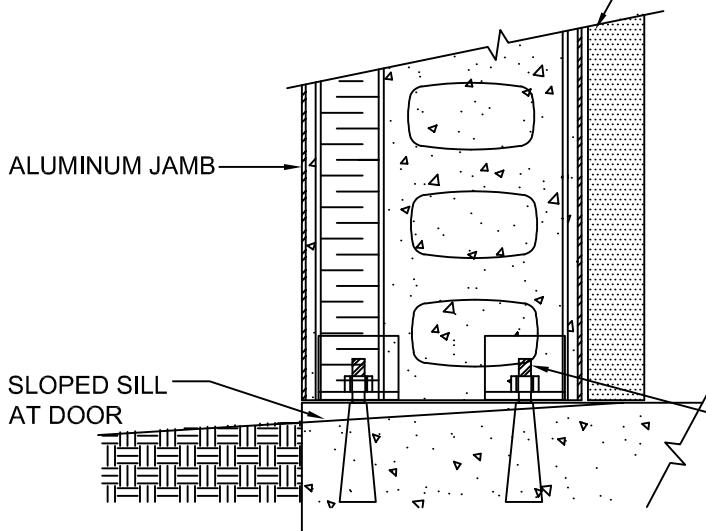
JAMB SECTION - TOP



JAMB SECTION - BOTTOM



SILL SECTION



- DETAIL FOR FORMWORK ONLY
 - ALL DETAILS, REINFORCING STEEL & CONCRETE MUST BE DESIGNED & CONFIRMED BY PROJECT STRUCTURAL ENGINEER AND / OR PROJECT ARCHITECT.

**200mm[8"] CF8i WALL -
 OVERHEAD DOOR -
 ALUMINUM FRAME**



DRAWING NO.		A155	
		COPYRIGHT 2024	
SCALE:		REVISION No.:	R00



Nuform Building Technologies Inc.
 100 Galcat Drive, Unit #2,
 Woodbridge, Ontario, Canada L4L 0B9
 Tel: 905-652-0001 Fax: 905-652-0002
 Toll Free: 1-877-747-9255
 Web Page: www.nuformdirect.com