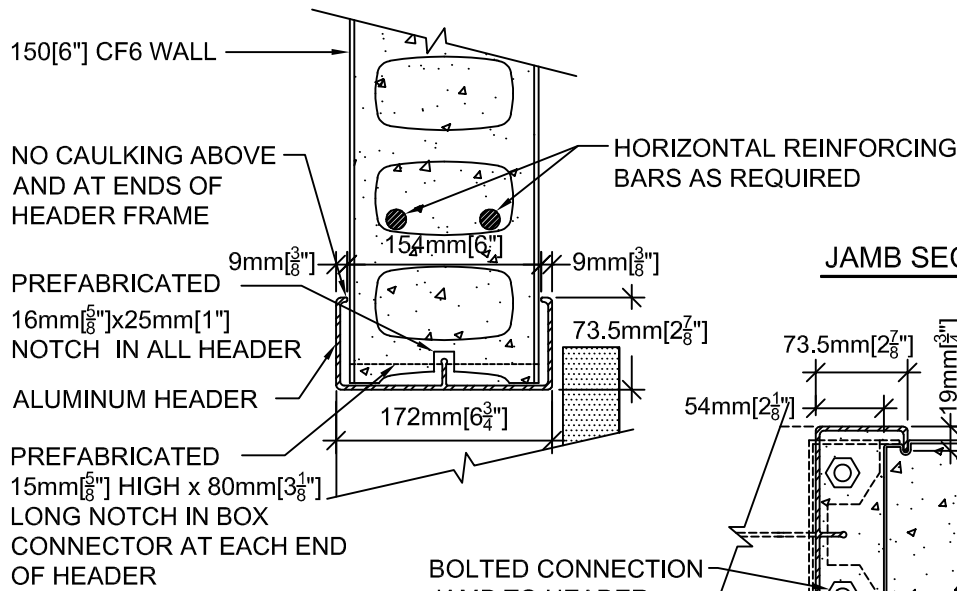
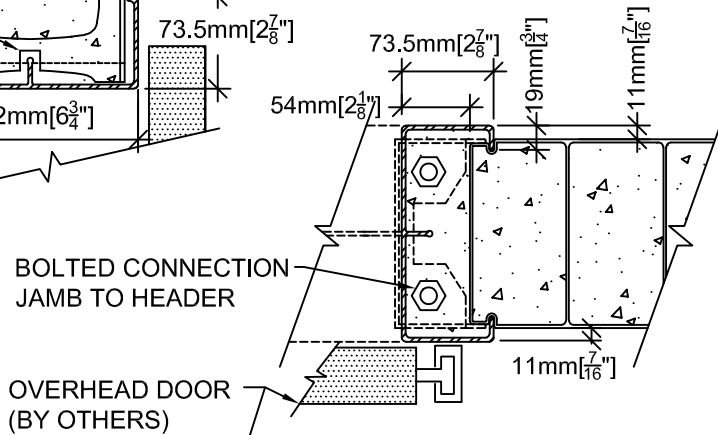


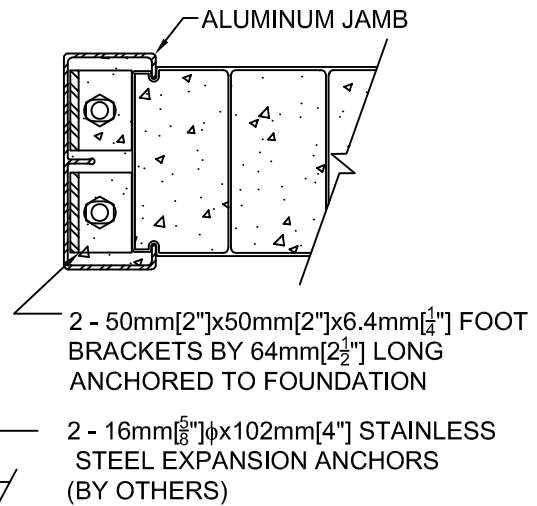
HEADER SECTION



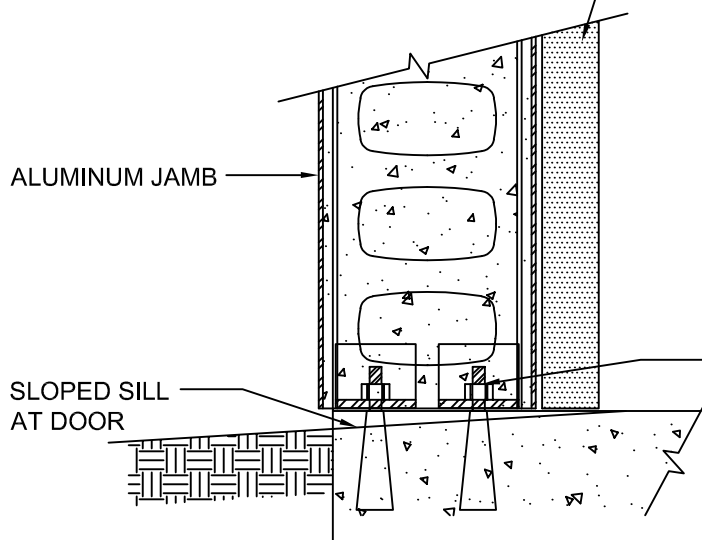
JAMB SECTION - TOP



JAMB SECTION - BOTTOM



SILL SECTION



- DETAIL FOR FORMWORK ONLY
 - ALL DETAILS, REINFORCING STEEL & CONCRETE MUST BE DESIGNED & CONFIRMED BY PROJECT STRUCTURAL ENGINEER AND / OR PROJECT ARCHITECT.

**150mm[6"] CF6 WALL -
 OVERHEAD DOOR -
 ALUMINUM FRAME**



DRAWING NO.	
A152	
COPYRIGHT 2024	
SCALE:	REVISION No.:
	R00