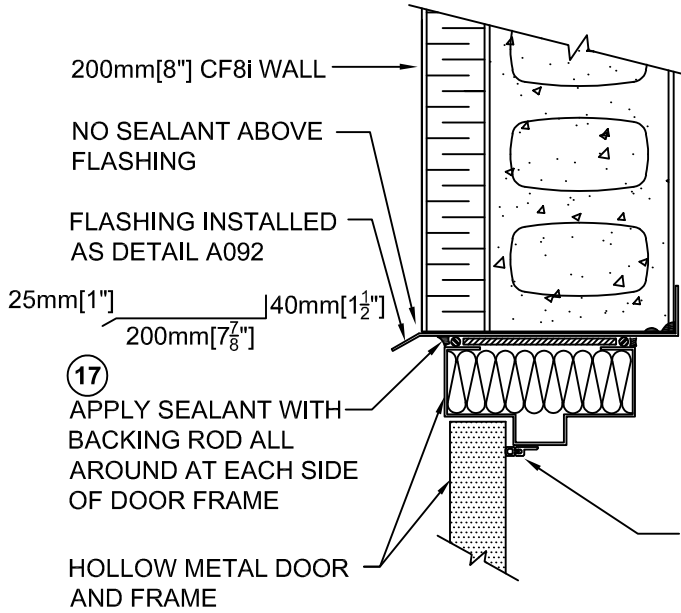
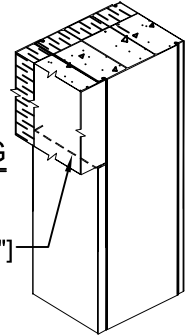


HEADER SECTION



OPENING



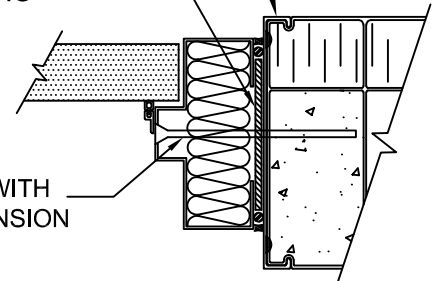
(14) APPLY 6mm[$\frac{1}{4}$ "] CORNER BEAD OF SEALANT AT TOP OF STARTER TO FLASHING AT HEADER OF OPENING.

JAMB SECTION

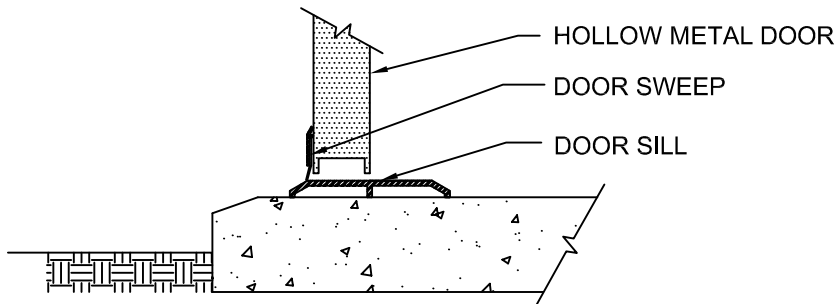
UNCORED CONFORM STARTER INSTALLED AS DETAIL A090

(15) INSTALL SHIMS TO CENTRE DOOR FRAME IN ROUGH OPENING

(16) FASTEN FRAME WITH FLATHEAD EXPANSION ANCHOR BOLTS.



SILL SECTION



ROUGH OPENING

- DETAIL FOR FORMWORK ONLY
- ALL DETAILS, REINFORCING STEEL & CONCRETE MUST BE DESIGNED & CONFIRMED BY PROJECT STRUCTURAL ENGINEER AND / OR PROJECT ARCHITECT.



Nuform Building Technologies Inc.
100 Galcat Drive, Unit #2,
Woodbridge, Ontario, Canada L4L 0B9
Tel: 905-652-0001 Fax: 905-652-0002
Toll Free: 1-877-747-9255
Web Page: www.nuformdirect.com

8" CF8i WALL -
HOLLOW METAL DOOR
EXTERIOR



DRAWING NO.	
A125	
COPYRIGHT 2024	
SCALE:	REVISION No.:
	R00