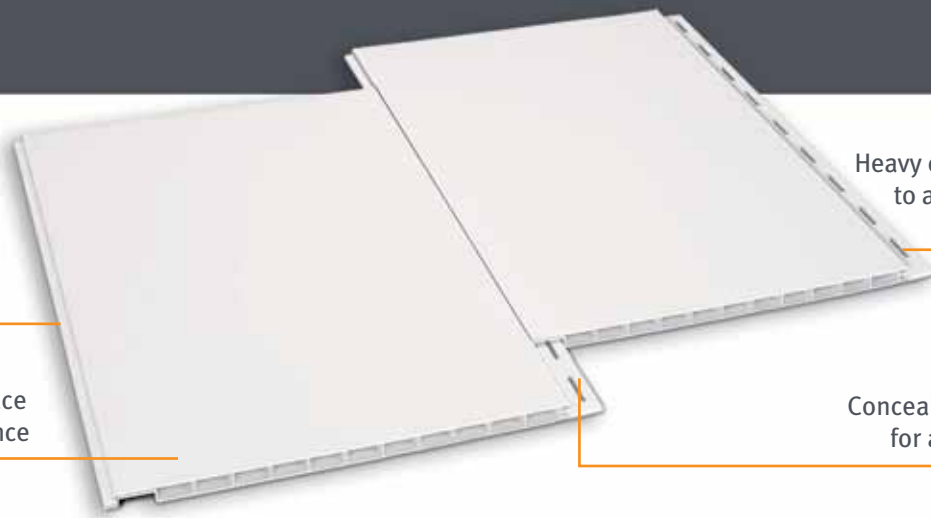




Durable, Cost-Effective Paneling System for Retrofit & New Construction

Interlocking fastening system for quick and easy installation

Durable, smooth surface for minimal maintenance



Heavy duty slotted fastener leg to accommodate expansion and contraction

Concealed fasteners for a clean finish

Innovative, lightweight panels that fasten directly to an existing wall or truss ceiling

Ideal for All Vehicle Wash Applications

Whether you choose to renovate an existing facility or start a new project, RELINE™ is the ideal, **cost-effective** paneling solution for all your walls and ceiling.

Features

- > Quick and easy installation; no gluing required
- > Panels fasten directly to an existing wall or truss ceiling
- > Will not warp, rust or corrode and never needs to be painted
- > Durable finished surface brightens the interior of the building
- > Meets Class A interior finish requirements
- > Standard and custom lengths available
- > Fasteners and accessories available
- > Fast delivery times

When used as a ceiling panel, **RELINE™** is the perfect complement to **CONFORM™**, our concrete wall forming system for new construction. Ask us about this great innovation!



Try the **REVIVE™** Advantage*

Eco-friendly cleaner formulated for all **NUFORM™** polymer panels
* For industrial use only. Available in cases of 4 bottles of 1 gallon (3.78 L).



Cost-Effective Solution for Automatic Bays & Tunnels



Add Color Using Vinyl Graphics



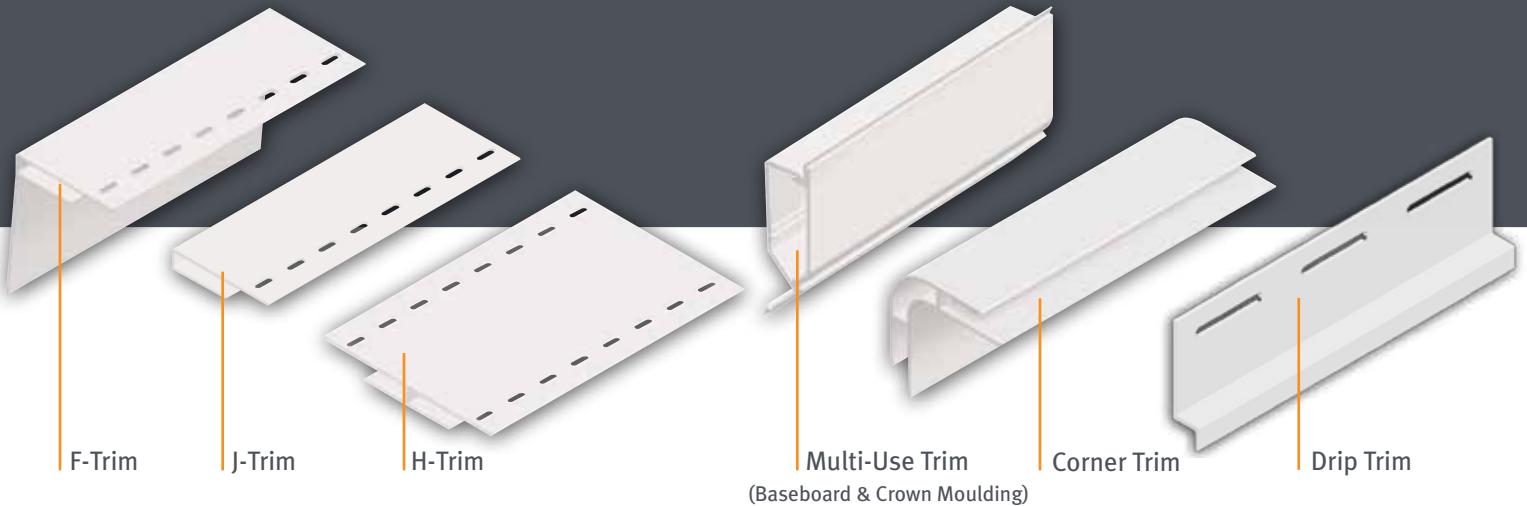
The Perfect Solution for All Ceiling Applications



Nuform Building Technologies Inc.
Toll Free: 1 877 747 9255
Tel.: 905 652 0001
Fax: 905 652 0002
www.nuformdirect.com



Complete Line of Matching Accessories to Finish the Job Right



RECYCLE > REUSE > REPURPOSE

Nuform Building Technologies Inc. is committed to the promotion of building greener, more environmentally friendly building structures. We don't just talk about a greener future, we actually live it every day, and it is at the core of our manufacturing process using R3 Sustainable Extrusion Technology.



SUSTAINABLE
EXTRUSION
TECHNOLOGY

WHY R3?

- > NUFORM™ has over 15 years of proven, in the field performance using recycling process technology
- > High quality bi-extrusion process creates fused products that do not peel, flake or delaminate - providing a consistent appearance and performance
- > Provides contributions toward LEED points
- > Highly mold & mildew resistant, (as per ASTM G21) along with low VOC emissions lead to healthier interior environments
- > Reduced on-site painting and finishing thereby minimizing the use of more hazardous products
- > Excellent light reflective properties promotes lower building energy costs
- > Increased durability, long life cycle and low maintenance provide for sustainable building envelopes



Nuform Building Technologies Inc.
Toll Free: 1 877 747 9255
Tel.: 905 652 0001
Fax: 905 652 0002
www.nuformdirect.com



- ✓ 55% recycled content
- ✓ Highly resistant to mold